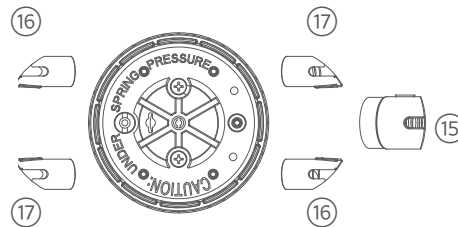
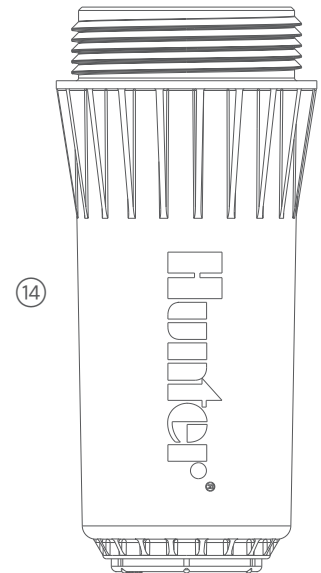
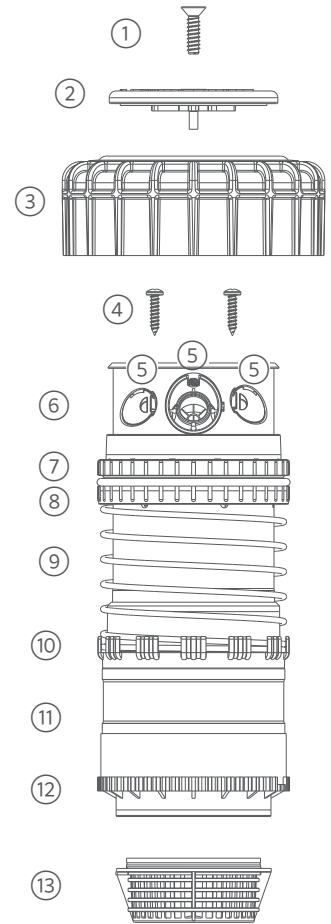


**ST-90: GEAR-DRIVEN ROTOR**

ITEM	DESCRIPTION	CATALOG NO.	
1	Rubber Cover Screw (1 Required)	351800	
2	Rubber Cover Assembly - Green	208900	
3	Body Cap Assembly	525000	
4	Retainer Cap Screws (2 Required)	334000	
5	Nozzle Retainer Screw (5 Required, not shown)	333900	
6	Retainer Cap - All	197200	
7	Seal Block*	171710*	
8	O-Ring Seal*	171600*	
9	Retraction Spring*	171900*	
10	Face Seal - Black*	406000*	
11	Bumper - Gray*	171800*	
12	Riser Assembly (Includes #4 - 13)	517800	
13	Screen Assembly	524600	
14	Body	NPT	525100
		BSP	525105
15	Primary Nozzles (Sold in Increments of 10)	#73 - Orange	460012SP
		#83 - Tan	464369SP
16	Nozzle Plug (Left, Green) (Sold in Increments of 10)	195802	
17	Nozzle Plug (Right, Green) (Sold in Increments of 10)	195702	

\*Parts 7 - 11 are required for the new I-90 seal replacement kit



**STG-900: GEAR-DRIVEN ROTOR**

ITEM	DESCRIPTION	CATALOG NO.
1	Screw - Logo Cap Retainer	351800
2	Rubber Logo Cap - (Green)	242505
3	Snap Ring Assy. - (Black)	430700
4	Screw - Nozzle Retainer (5 used)	333900
5	Seal Block	171700
6	O-Ring - Seal	171600
7	Spring - Riser Retraction	171900
8	Face Seal - Black	406000
9	Bumper - Gray	171800
10	Riser Assembly - (Incl: Items 4 - 11)	517900
11	Screen - Riser Inlet	524600
12	Primary Nozzles	#73 - Orange 460012SP
	(Sold in Increments of 10)	#83 - Tan 464369SP
13	Nozzle Plug (Left, Green) (Sold in Increments of 10)	195802
14	Nozzle Plug (Right, Green) (Sold in Increments of 10)	195702
15	Lid - Flange Compartment	493605
16	Tube Retainer - 1/8" Tubing	476000
17	Connector - 1/4" x 1/8" Tubing	402100
18	Tube Plug - 1/4" Tubing	052608
19	Tube Retainer - 1/4" Tubing	052610
20	Body Assembly, STG-900 (Incl: Items 16 - 22)	521000
21	Cap, Protective - Ssolenoid Wire Hole	643900
22	Cap, Protective	456800
23	Snap Ring Tool	251000SP

