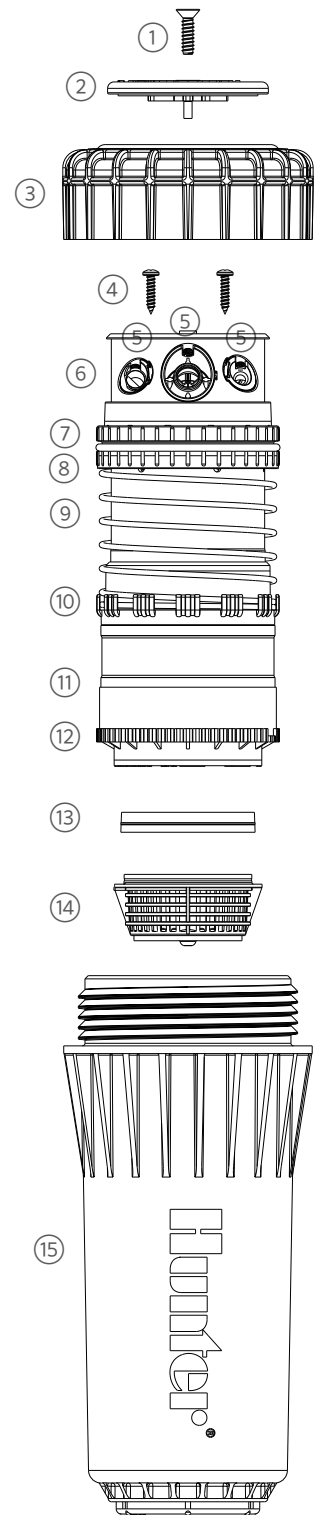


## I-90: GEAR-DRIVEN ROTOR

ITEM	DESCRIPTION	CATALOG NO.		
1	Rubber Cover Screw (1 Required)	351800SP		
2	Rubber Cover Assembly	ADV (Black)	529000	
		36V (Black)	528900	
		ARV (Purple)	529005	
		3RV (Purple)	528905	
3	Body Cap Assembly	525000		
4	Retainer Cap Screws (2 Required)	334000		
5	Nozzle Retainer Screw (5 Required, not Shown)	333900		
6	Retainer Cap (6/11 and After) - All	197200		
7	Seal Block*	171710*		
8	O-Ring Seal*	171600*		
9	Retraction Spring*	171900*		
10	Face Seal - Black*	406000*		
11	Bumper - Gray*	171800*		
12	Riser Assembly (Includes #4-11)	ADV, ARV	525500	
		36V, 3RV	525400	
13	Stator Adjustment Plate	052833		
14	Screen Assembly	525200		
15	Body	NPT - Gray	525100	
		BSP - Black	525105	
16	Nozzle Pack (1 Ea 25, 33, 38, 43, 48, 53, 63, 73)	#25 - Lt. Blue	460011	
		#33 - Gray	464363	
17	Primary Nozzles (Sold in Increments of 10)	#38 - Red	464364	
		#43 - Dk. Brown	464365	
		#48 - Dk. Green	464366	
		#53 - Dk. Blue	464367	
		#63 - Black	464368	
		#73 - Orange	460012	
		Low-Angle Primary Nozzles (Sold in Increments of 10)	#25 - Lt. Blue	791500
			#33 - Gray	791600
			#38 - Red	791800
			#43 - Dk. Brown	791900
#48 - Dk. Green	792000			
#53 - Dk. Blue	792100			
#63 - Black	792200			
#73 - Orange	792300			

(Parts 18-21 are listed on the next page)

\*Parts 7-11 are required for the new I-90 seal replacement kit



**I-90: GEAR-DRIVEN ROTOR (CONT. FROM PAGE 15)**

ITEM	DESCRIPTION	CATALOG NO.
18	Short Range Nozzle (5/11 and Prior) – All (Left, Black) (Sold in Increments of 10)	439100SP
19	Short-Range Nozzle (6/11 and After) (Left, Red) All Models (Sold in Increments of 10)	191800SP
	Mid-Range Nozzle (5/11 and Prior) (Sold in increments of 10)	(Right, Green) ADV, ARV 439000SP
		(Right, BLue) 36V, 3RV 455400SP
20	Mid-Range Nozzle (6/11 and After) (Sold in Increments of 10)	(Right, Green) ADV, ARV 195701SP
		(Right, BLue) 36V, 3RV 195704SP
21	Nozzle Plug (6/11 and After) (Left, Black) – All (Sold in Increments of 10)	195803SP
	Nozzle Plug (6/11 and After) (Right, Black) – All (Sold in Increments of 10)	195703SP

(Please refer to the illustration on page 15)

